

BALL VALVE 2Pc. FULL BORE , Lever Operated

DRG No: **BLW0001**

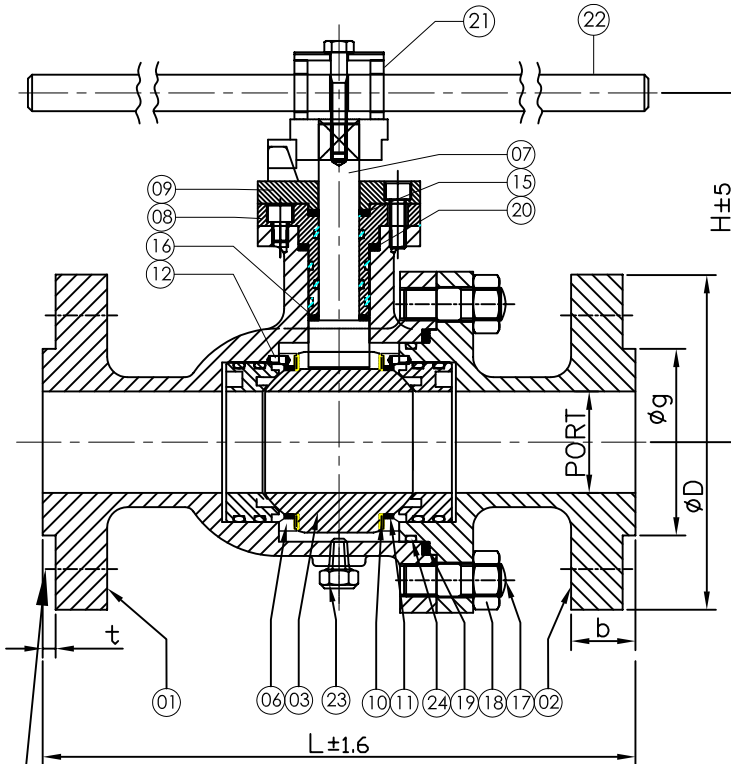
Rev **00**

Date: **10-04-07**

Customer _____
 Consultant _____
 Enquiry No _____
 W.O. No _____ Date _____
 P.O. No _____ Date _____

PART LIST & MATERIALS OF CONSTRUCTION

PART No	QTY	PART NAME	MATERIALS					
01	01	Body	WCB	LCB	CF8	CF8M	CF3	CF3M
02	01	Tail Piece	WCB	LCB	CF8	CF8M	CF3	CF3M
03	01	Ball	WCB	LCB	CF8	CF8M	CF3	CF3M
04	02	Seat Insert	PTFE /Nylon/Devlon/PEEK					
05	02	Seat Holder	WCB	LCB	CF8	CF8M	CF3	CF3M
06	02	Trunnion Plate	WCB	LCB	CF8	CF8M	CF3	CF3M
07	01	Stem	410	304	316	304L	316L	
08	01	Stem Holder	WCB	LCB	CF8	CF8M	CF3	CF3M
09	01	Cover Plate	WCB	LCB	CF8	CF8M	CF3	CF3M
10	02	Trunnion Bearing	SS Backed PTFE / CFT					
11	02	Trunnion Washer	SS Backed PTFE / CFT					
12	08	Locating Plate	SS 316/304/410					
13	01	Spring	Inconel / AISI 302					
14	Req	Oring <i>Seat</i>	Viton / Neoprene/Nitrile					
15	03	Packing	Grafoil / PTFE					
16	02	Thrust Washer	Grafoil / PTFE					
17	Req	Stud <i>Body</i>	ASTM A193 Gr.B7/ B8/ B8M					
18	Req	Nut <i>Body</i>	ASTM A194 Gr.2H/ 8/ 8M					
19	01	Gasket <i>Body</i>	Grafoil / SPW SS 316/304 + Grafoil					
20	01	Gasket <i>Body - StemHolder</i>	Grafoil					
21	01	Adaptor	Carbon Steel					
22	01	Lever	Carbon Steel					
23	01	Drain	Carbon Steel / SS304 / SS316					
24	01	Oring <i>Body-Tail Piece</i>	Viton / Neoprene/Nitrile					
25	01	Stem Sealant Injector	SS304 / SS316					
26	01	Vent	SS304 / SS316					

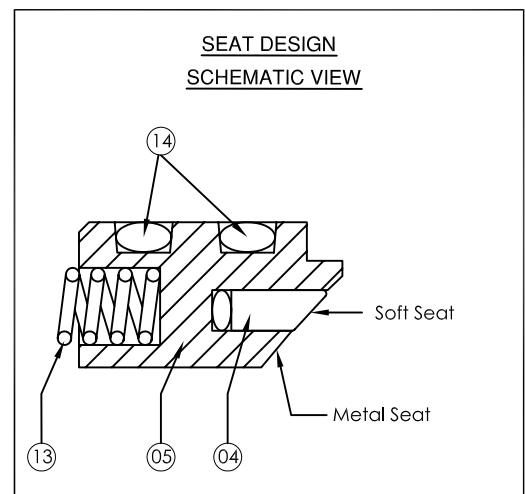


N Holes, ØJ on K pcd, Eq.Spaced, straddle centre lines.

- Note:
- All dimensions are in mm.
 - Dimension 'L' conforms to ASME B16.10. Other dimensions are indicative. Weight indicated is approximate.
 - Flange Drilling as per ASME B 16.5 Raised Face.(125-250 AARH)
 - Accessories Arrangement shown is indicative May VARY at the time of assembly.

DESIGN STD API 6D / BS 5351 / EN 12516

CLASS	150			300			600		
Size	02"	03"	04"	02"	03"	04"	02"	03"	
	050	080	100	050	080	100	050	080	
Port	51	76	102	51	76	102	51	76	
L	178	203	229	216	283	305	292	356	
H (Approx)	175	202	286	173	205	367	173	356	
t	1.6			1.6			6.4		
Drilling Details	ØD	152.5	190.5	229	165	210	254	165	210
	b	16	19	24	22.4	28.5	31.8	25.4	31.8
	Øg	92	127	157	92	127	157	92	127
	Øj	16	19	19	19	22.4	22.4	19	22.4
	N	4	4	8	8	8	8	8	8
	K pcd	120.7	152.4	190.5	127	168.2	200.2	127	168.2
Weight (Kg)	28	51	79	28	57	91	32	65	
Quantity									
Tag No.									



Testing std API 6D/ API 598
 Test Pressures in PSIG

Test	Hydrostatic	Air (Gas)
Shell	450	
Seat	325	80

CODE	WCB	LCB	CF8	CF8M	CF3	CF3M	410	304	316	304L	316L
MATERIAL SPECN.	A216 WCB	A352 LCB	A351 CF8	A351 CF8M	A351 CF3	A351 CF3M	A276 410	A276 304	A276 316	A276 304L	A276 316L

For Approval For Reference Prepared By _____ Checked By _____ Approved by _____