

SWING CHECK VALVE External Hinge Type

DRG No: CESC0001

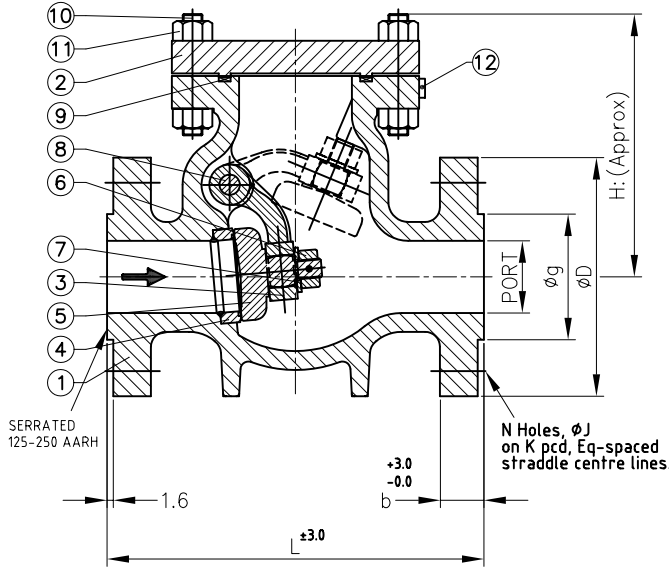
Rev 00

Date: 10-04-07

Customer _____
 Consultant _____
 Enquiry No _____
 W.O. No _____ Date _____
 P.O. No _____ Date _____

PART LIST & MATERIALS OF CONSTRUCTION

PART No	QTY	PART NAME	MATERIALS					
01	01	Body	WCB	LCB	CF8	CF8M	CF3	CF3M
02	01	Cover	WCB	LCB	CF8	CF8M	CF3	CF3M
03	01	Hinge	WCB	LCB	CF8	CF8M	CF3	CF3M
04	01	Seat Ring (Seal Weld)	A105	LCB	CF8	CF8M	CF3	CF3M
05	01	Disc	WCB	LCB	CF8	CF8M	CF3	CF3M
06	01	Disc Nut	410	304	316	304L	316L	
07	01	Washer	410	304	316	304L	316L	
08	01	Hinge Pin	410	304	316	304L	316L	
09	01	Gasket	Spiral wound SS 304/316 with Grafoil					
10	Req.	Cover Stud	ASTM A193 Gr B7					
11	Req.	Cover Nut	ASTM A194 Gr 2H					
12	01	Name Plate	Stainless Steel					



Note:

- All dimensions are in mm.
- Dimension 'L' conforms to ASME B16.10 other dimensions are indicative. Weight indicated is approximate.
- Flanged End Raised Face, Drilled to ASME B16.5,
- For Austenitic Stainless Steel Valves, Seat Ring is Integral

DESIGN STANDARD BS 1868 / EN 12516

CLASS	150												
SIZE	02"	03"	04"	06"	08"	10"	12"	14"	16"	18"	20"	24"	
Port	51	76	102	154	203	254	305	337	387	438	489	591	
L	203	241.3	292.1	355.6	495.3	622.3	698.5	787.4	863.6	977.9	977.9	1295.4	
H	135	165	190	230	285	335	365	415	470	535	600	675	
Drilling Details	ØD	152.4	190.5	228.6	279.4	342.9	406.4	482.6	533.4	596.9	635	698.5	812.8
	b	15.8	19.05	23.8	25.4	28.5	30.2	31.75	35.1	36.6	39.6	42.9	47.7
	øg	92	127	157.2	216	269.8	323.9	381	412.8	469.9	533.4	584.2	692.2
	Øj	19.05	19.05	19.05	22.4	22.4	25.4	25.4	28.5	28.5	31.8	31.8	35.1
	N	4	4	8	8	8	12	12	12	16	16	20	20
	K pcd	120.7	152.4	190.5	241.3	298.5	361.9	431.8	476.3	539.8	577.9	635	749.3
Weight (Kg)	16	28	42	75	135	195	300	467	560	725	870	1370	
Quantity													
Tag No.													

CODE	WCB	LCB	CF8	CF8M	CF3	CF3M	410	304	316	304L	316L
MATERIAL	A216	A352	A351	A351	A351	A351	A276	A276	A276	A276	A276
SPECN.	WCB	LCB	CF8	CF8M	CF3	CF3M	410	304	316	304L	316L

Testing Std EN 12266-1

Test Pressures in PSIG

Test	Hydrostatic	Air
Shell	450	
Seat	325	

For Approval For Reference Prepared By _____ Checked By _____ Approved by _____