

SWING CHECK VALVE External Hinge Type

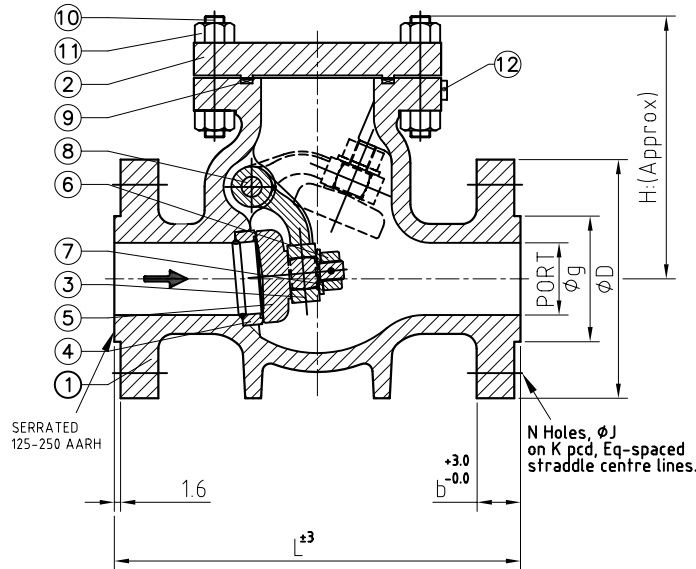
DRG No: CESC0002

Rev 00 Date: 10-04-07

Customer _____
 Consultant _____
 Enquiry No _____
 W.O. No _____ Date _____
 P.O. No _____ Date _____

PART LIST & MATERIALS OF CONSTRUCTION

PART No	QTY	PART NAME	MATERIALS					
01	01	Body	WCB	LCB	CF8	CF8M	CF3	CF3M
02	01	Cover	WCB	LCB	CF8	CF8M	CF3	CF3M
03	01	Hinge	WCB	LCB	CF8	CF8M	CF3	CF3M
04	01	Seat Ring (Seal Weld)	A105	LCB	CF8	CF8M	CF3	CF3M
05	01	Disc	WCB	LCB	CF8	CF8M	CF3	CF3M
06	01	Disc Nut	410	304	316	304L	316L	
07	01	Washer	410	304	316	304L	316L	
08	01	Hinge Pin	410	304	316	304L	316L	
09	01	Gasket	Spiral wound SS 304/316 with Grafoil					
10	Req.	Cover Stud	ASTM A193 Gr B7					
11	Req.	Cover Nut	ASTM A194 Gr 2H					
12	01	Name Plate	Stainless Steel					



- Note:
- All dimensions are in mm.
 - Dimension 'L' conforms to ASME B16.10 other dimensions are indicative. Weight indicated is approximate.
 - Flanged End Raised Face, Drilled to ASME B16.5.
 - For Austenitic Stainless Steel Valves, Seat Ring is Integral

DESIGN STANDARD BS 1868 / EN 12516

CLASS	300											
SIZE	02"	03"	04"	06"	08"	10"	12"	14"	16"	18"	20"	24"
Port	51	76	102	152	203	254	305	336	387	438	488	590
L	267	317.5	356	444.5	533.5	622	711	838	864	978	1016	1346
H	140	175	205	250	315	355	395	465	530	610	655	745
Drilling Details	ϕD	165	210	254	317.5	381	444.5	521	584	648	711	914.5
	b	22.4	28.5	31.8	36.6	41.2	47.8	50.8	53.9	57.2	60.5	63.5
	ϕg	92	127	157	216	270	324	381	413	470	533	692
	ϕj	19	22.4	22.4	22.4	25.4	28.5	31.8	31.8	35.1	35.1	35.1
	N	8	8	8	12	12	16	16	20	20	24	24
K pcd	127	168.2	200.2	269.8	330.2	387.4	450.9	514.4	571.5	628.7	685.8	812.8
Weight (Kg)	19	45	70	130	220	335	470	645	865	1100	1280	1700
Quantity												
Tag No.												

CODE	WCB	LCB	CF8	CF8M	CF3	CF3M	410	304	316	304L	316L
MATERIAL SPECN.	A216 WCB	A352 LCB	A351 CF8	A351 CF8M	A351 CF3	A351 CF3M	A276 410	A276 304	A276 316	A276 304L	A276 316L

Testing Std EN 12266-1

Test Pressures in PSIG

Test	Hydrostatic	Air
Shell	1125	
Seat	825	

For Approval For Reference Prepared By _____ Checked By _____ Approved by _____