

SWING CHECK VALVE Internal Hinge Type

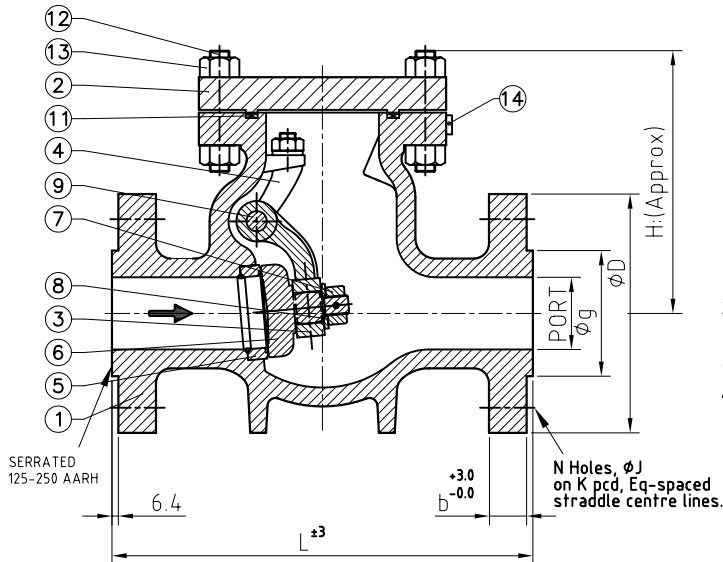
DRG No: CESC0003

Rev 00 Date: 10-04-07

Customer _____
 Consultant _____
 Enquiry No _____
 W.O. No _____ Date _____
 P.O. No _____ Date _____

PART LIST & MATERIALS OF CONSTRUCTION

PART No	QTY	PART NAME	MATERIALS					
01	01	Body	WCB	LCB	CF8	CF8M	CF3	CF3M
02	01	Cover	WCB	LCB	CF8	CF8M	CF3	CF3M
03	01	Hinge	WCB	LCB	CF8	CF8M	CF3	CF3M
04	01	Bracket	WCB	LCB	CF8	CF8M	CF3	CF3M
05	01	Seat Ring (Seal Weld)	A105	LCB	CF8	CF8M	CF3	CF3M
06	01	Disc	WCB	LCB	CF8	CF8M	CF3	CF3M
07	01	Disc Nut	410	304	316	304L	316L	
08	01	Washer	410	304	316	304L	316L	
09	01	Hinge Pin	410	304	316	304L	316L	
10	01	Split Pin	410	304	316	304L	316L	
11	01	Gasket	Spiral wound SS 304/316 with Grafoil					
12	Req.	Cover Stud	ASTM A193 Gr B7					
13	Req.	Cover Nut	ASTM A194 Gr 2H					
14	01	Name Plate	Stainless Steel					



Note:

- All dimensions are in mm.
- Dimension 'L' conforms to ASME B16.10 other dimensions are indicative. Weight indicated is approximate.
- Flanged End Raised Face, Drilled to ASME B16.5,
- For Austenitic Stainless Steel Valves, Seat Ring is Integral

DESIGN STANDARD BS 1868 / EN 12516

CLASS		600											
SIZE		02"	03"	04"	06"	08"	10"	12"	14"	16"	18"	20"	24"
Port		50	80	100	150	200	250	300	350	400	450	500	600
L		292	356	432	559	660.5	787.5	838	889	991	1092	1194	1397
H		185	220	265	325	375	450	490	520	660	782	935	1114
Drilling Details	øD	165	210	273	356	419	508	559	603.5	686	743	813	940
	b	25.4	31.8	38.1	47.8	55.7	63.5	66.7	69.9	76.2	82.6	88.9	101.6
	øg	92	127	157	216	270	324	381	413	470	533	584	692
	øj	19	22.4	25.4	28.5	31.8	35	35	38.1	41.2	44.5	44.5	50.8
	N	8	8	8	12	12	16	20	20	20	20	24	24
	K pcd	127	168.2	216	292.1	349.3	431.8	489	527	603.3	654	723.9	838.2
Weight (Kg)		28	55	90	224	354	676	790	950	1240	1440	1830	2250
Quantity													
Tag No.													

CODE	WCB	LCB	CF8	CF8M	CF3	CF3M	410	304	316	304L	316L
MATERIAL SPECN.	A216 WCB	A352 LCB	A351 CF8	A351 CF8M	A351 CF3	A351 CF3M	A276 410	A276 304	A276 316	A276 304L	A276 316L

Testing Std EN 12266-1

Test Pressures in PSIG

Test	Hydrostatic	Air
Shell	2225	
Seat	1650	

For Approval For Reference Prepared By _____ Checked By _____ Approved by _____